

Design LED 108IP Dimensions

The Design LED 108IP (DLED 108IP) by Elation Professional is a high output, compact L.E.D. color changer featuring full RGB color mixing using 36 Luxeon K2 LED's - 12 RED, 12 BLUE and 12 GREEN running at 3W power each. The unit is made of a high quality die cast metal case and is convection cooled with design of the fixture optimized providing up to 100,000 hours estimated LED life. The DLED 108IP is rated at IP 65 ideal for indoor or outdoor applications and includes outdoor rated power and data cables along with a/c power 120v input cable but unit can operate from 90 – 240v AC via the internal auto sensing electronic power supply. Control data input is via 3 pin or 5pin DMX data first in and out cables. The DLED 108IP includes a dual yoke mounting bracket for fixed installation or can be used as a split bracket for floor standing. The unit also features an on board weather protected 4 button control menu with 4 digit LED display for setting control address, modes, manual or auto programs. The unit comes fitted standard with a 15° lens kit which produces a 44° field angle effect. Optional wide and narrow lens kits are available.

FEATURES

- Linear RGB color mixing allows for infinite color possibilities
- 6 Luxeon K2 LED's - 12 RED, 12 BLUE and 12 GREEN running at 3W power each
- 15° standard beam angle (25° & 45° optional lens kits available)
- IP65 outdoor rated, compact design, die cast case
- Silent operation, convection cooled (No fans)
- Built-in, auto switching power supply
- AC Power input & output
- LED display with easy to use function keys
- DMX controllable via 3, 4 & 6 channel DMX modes
- 6 built-in programs with Speed control
- Master/ Slave auto program and sound trigger

TECHNICAL SPECIFICATIONS

- **DMX Channels:** 3, 4 & 6 CH DMX control modes
- **Control:** USITT DMX-512, 3 pin or 5 pin XLR data input & output
- **Dimmer:** Selectable dim options (Standard & Linear) 0 - 100% dimming
- **Strobe:** Strobe effect (1-18 flashes per second)
- **IP Rating:** IP 65
- **Power Supply:** Multi-voltage 100-240VAC, 50/60Hz
- **Power Consumption:** 150W
- **Lamp:** 36 x 3W K2 LEDs - (12 each R, G, B) Long-life L.E.D.s
- **Lamp Life:** 100,000 hrs. life
- **Dimensions:** (LxWxH-not including hanging bracket) 8.8" x 8" x 10.8" / 223.52 x 203.20 x 274.32mm
- **Weight:** 15.2 lbs / 6 kg
- **Rigging:** Mounting bracket designed for floor, wall or truss mount and molded eye hole for safety cable

Design LED 108IP



COLORS

- 36 x 3W K2 LEDs - (12 each R, G, B)
- Long Life L.E.D. (rated at 100,000 Hours)
- Linear RGB color mixing allows for infinite color possibilities



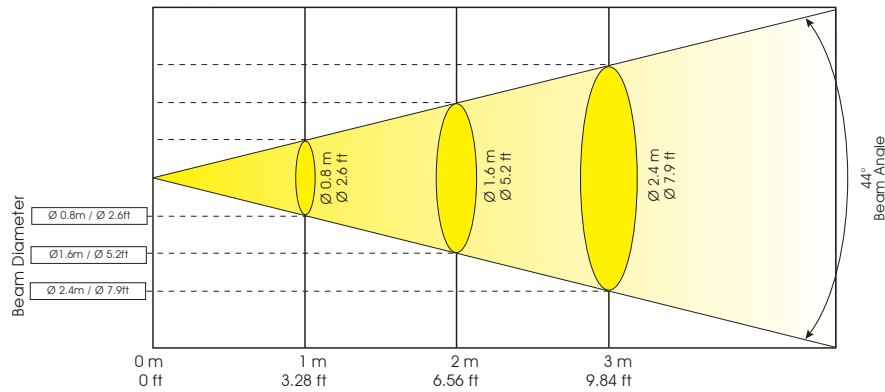
PHOTOMETRICS

Design LED 108IP
Photometric Beam Angle Data

Standard 15° Lens: 44° Beam Angle

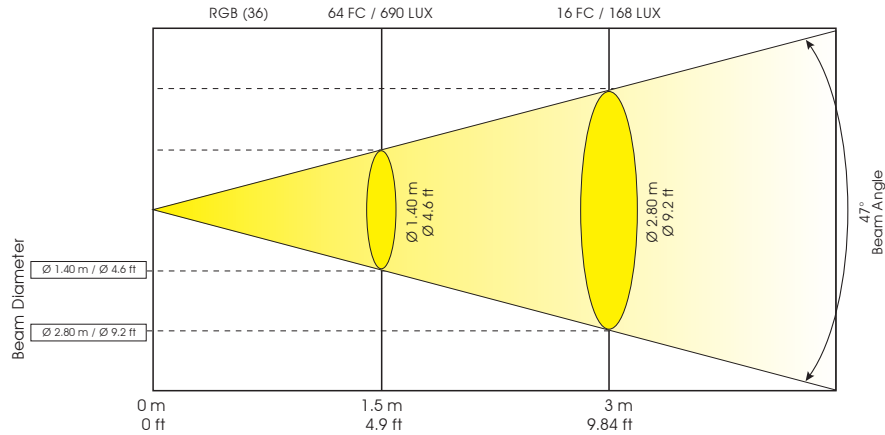
LUX x 0.0929 = FC

R (12)	440 FC / 4,729 LUX	118 FC / 1,272 LUX	53 FC / 570 LUX
G (12)	664 FC / 7,152 LUX	180 FC / 1,940 LUX	77 FC / 831 LUX
B(12)	41 FC / 443 LUX	12 FC / 127 LUX	5 FC / 55 LUX
RGB (36)	1,199 FC / 12,900 LUX	342 FC / 3,680 LUX	136 FC / 1,465 LUX



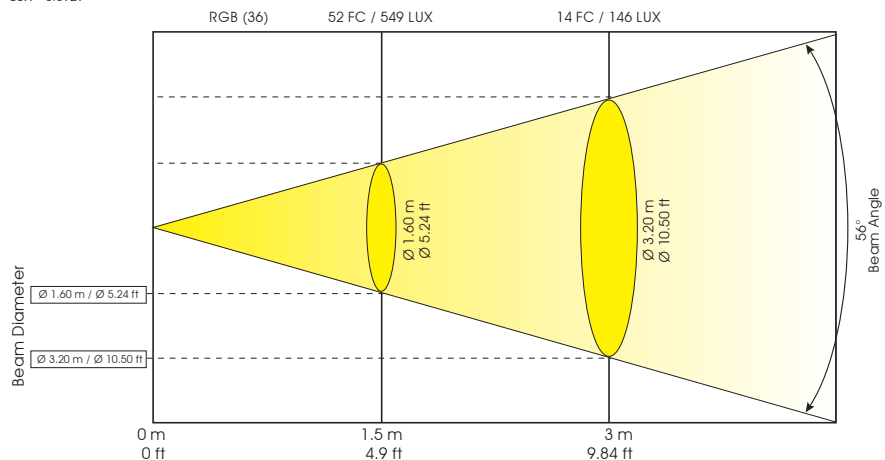
Optional 25° lens: 47° Beam Angle (not included)

LUX x 0.0929 = FC



Optional 45° lens: 56° Beam Angle (not included)

LUX x 0.0929 = FC



DMX TRAITS

3 Channel Mode:

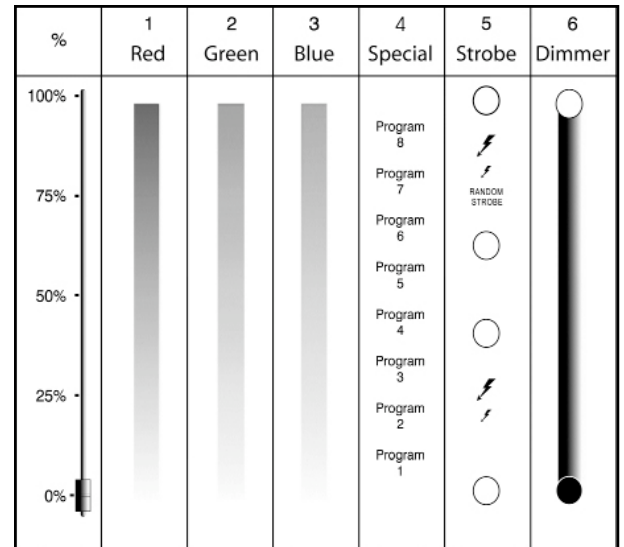
Channel	Value	Function
1	0 - 255	Red (0 - black, 255 - 100% red)
2	0 - 255	Green (0 - black, 255 - 100% green)
3	0 - 255	Blue (0 - black, 255 - 100% blue)

4 Channel Mode:

Channel	Value	Function
1	0 - 255	Red (0 - black, 255 - 100% red)
2	0 - 255	Green (0 - black, 255 - 100% green)
3	0 - 255	Blue (0 - black, 255 - 100% blue)
4	0 - 255	Dimming (0 - 100%) ~ <i>normal operation</i>
	0 - 255	Speed (min to max) ~ <i>when running</i> <i>built-in programs on channel 4</i>

6 Channel Mode:

Channel	Value	Function
1	0 - 255	Red (0 - black, 255 - 100% red)
2	0 - 255	Green (0 - black, 255 - 100% green)
3	0 - 255	Blue (0 - black, 255 - 100% blue)
4	0 - 255	Internal programs
5	0 - 255	Strobe
6	0 - 255	Dimming (0 - 100%) ~ <i>normal operation</i>
	0 - 255	Speed (min to max) ~ <i>when running</i> <i>built-in programs on channel 4</i>



Product Order Code	Description
DLED 108 IP	Black DLED 108
DLED 108 IPS	Silver DLED 108
Accessories Order Code	Description
PRO CLAMP	Mounting Clamp
DLED-LK25	25° Lens Kit
DLED-LK45	45° Lens Kit
80409030066	DLED DMX In 3P Male XLR/5P Female IP 3M
80409030065	DLED DMX Out 3P Female XLR/5P Male IP 3M
80409030054	DLED 120V Power In 3P IP Cable 1.8M
80409030011	DLED Data Link Cable 5P IP 3M DLED Power Link Cable 3P IP 3M